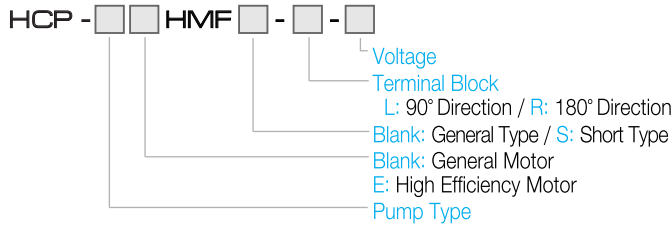


# HCP (E)HMF(S) series



## Model



## Feature

1. HCP-□HMF(S)
    - 동일한 펌프 취부자리로 교체가 용이함
    - Mechanical Seal이 장착되어 장시간의 공회전은 금지함 (공회전 30초 이상 금지)
    - 일체형 축으로 제작되어 내구성과 관리가 용이함
  2. HCP-□EHMF(S)
    - HCP-HMF(S) Type에 고효율 모터를 장착
    - 효율의 극대화로 우수한 절전 및 투자비 회수가 가능한 높은 경제성
    - 낮은 온도상승, 고 절연재료 사용으로 권선수명연장
    - 고효율 에너지 기자재 마크 획득
- 
1. HCP-□HMF(S)
    - Identical pump spray areas make exchanges easy.
    - Prolonged idling is prohibited due to the installed mechanical seal. (Idling for more than 30 seconds is prohibited)
    - It is produced with a single-unit shaft, which increases durability and makes management easy.
  2. HCP-□EHMF(S)
    - High efficiency motor is installed in HCP-HMF(S) Type.
    - Excellent electricity savings and high economic return on investment through optimized efficiency.
    - Increase in life-time use through slow temperature increase and use of highly energy-efficient energy materials.
    - Acquired high efficiency energy equipment mark.

## Pump Spec.

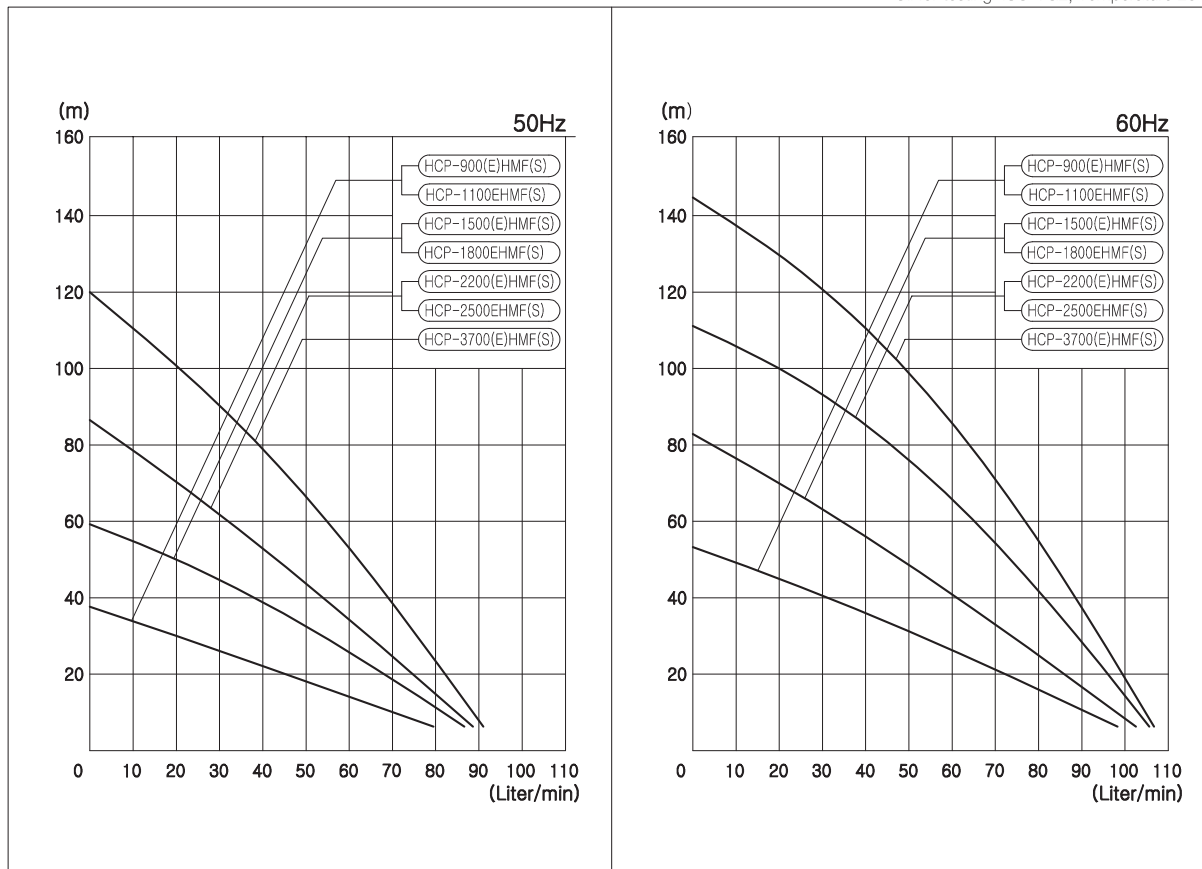
Type	Specification	MOTOR					PUMP		
		OUTPUT(W)	FREQUENCY(Hz)	VOLTAGE(V)	CURRENT(A)	PHASE	POLES	TOTAL HEAD(m)	DIS. VOL(ℓ/min)
HCP-900(E)HMF(S)	900	50	200 380	5.2 3.1	3	2	30	20	3/4"
		60	200/220 380	6.0/5.8 3.4			45		
HCP-1100EHMF(S)	1100	50	220	4.3	3	2	30	30	3/4"
		60		5.1			45		
HCP-1500(E)HMF(S)	1500	50	200 380	7.5 4.1	3	2	50	20	3/4"
		60	200/220 380	8.5/8.0 4.6			70		
HCP-1800EHMF(S)	1800	50	220	6.5	3	2	50	30	3/4"
		60		7.0			70		
HCP-2200(E)HMF(S)	2200	50	200 380	9.0 5.5	3	2	70	20	3/4"
		60	200/220 380	12.0/11.0 6.4			100		
HCP-2500EHMF(S)	2500	50	220	8.7	3	2	70	30	3/4"
		60		9.7			100		
HCP-3700(E)HMF(S)	3700	50	200 380	16.0 8.5	3	2	90	20	3/4"
		60	200/220 380	18.0/17.0 10.7			130		

## Packing Spec.

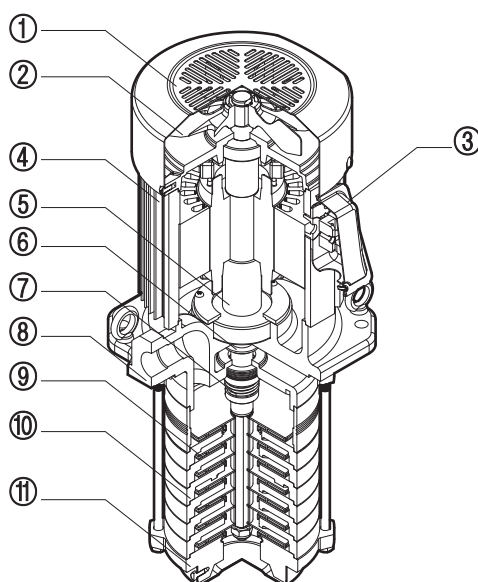
MODEL NAME	PACKING SIZE(cm)	WEIGHT(kg)	
		PUMP	PACKING
HCP-900HMF	50(W) x 30(L) x 27(D)	25	26
HCP-900HMFS		24	25
HCP-1100HMF		26	27
HCP-1100HMFS		25	27
HCP-1500HMFS		27	28
HCP-1800EHMFS		28	29
HCP-1500HMF		28	29
HCP-1800EHMF		29	30
HCP-2200HMF		38	39
HCP-2200HMFS		37	38
HCP-2500EHMF	63(W) x 29(L) x 30(D)	39	40
HCP-2500EHMFS		38	39
HCP-3700HMF		45	46
HCP-3700HMFS		44	45

Performance Curve

Oil for testing: ISO-VG2, Temperature 20°C



- 비수용성 절삭유 사용시 32cSt 이하의 점도를 사용하여야 하며, 수용성 절삭유에 비하여 펌프성능(압력·유량)이 저하됨.
- When using non water-soluble cutting fluid, Viscosity must be under 32cSt, Pump performance (pressure and quantity) will decrease compared to water-soluble cutting fluid.

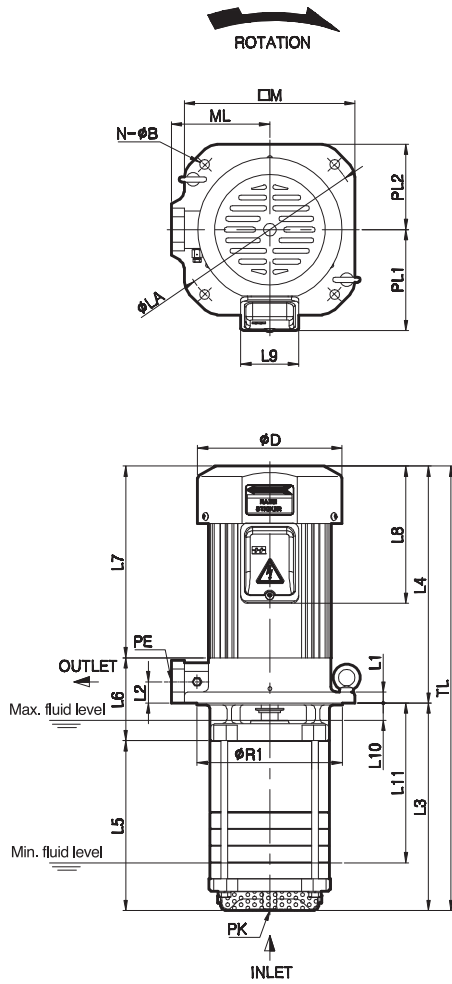


No	PART NAME	No	PART NAME	No	PART NAME
1	FAN COVER	5	SHAFT	9	IMPELLER
2	FAN	6	STOPPER	10	IMPELLER CASING
3	TERMINAL BLOCK	7	IMPELLER SEAL	11	INLET COVER
4	MOTOR	8	BODY	-	-

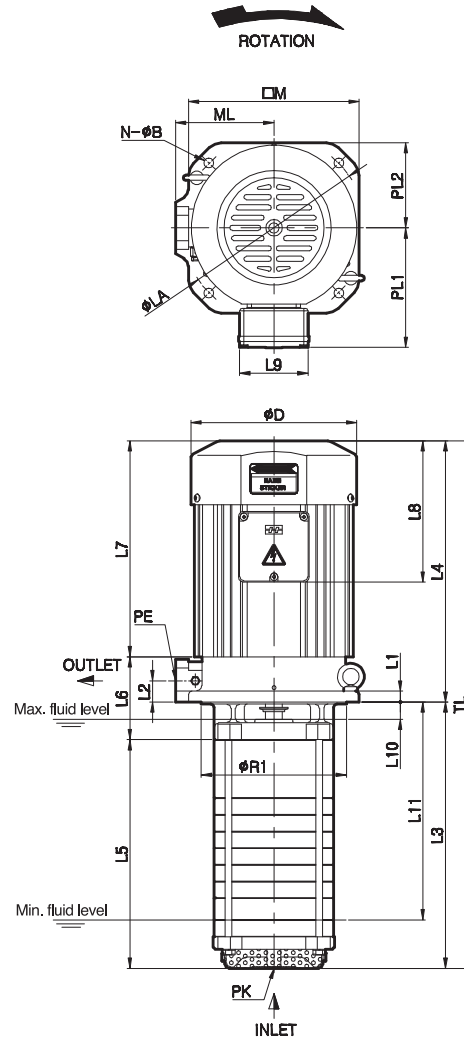
## HCP HMF

### External Figure

HCP-900~1500HMF(S)



HCP-2200~3700HMF(S)



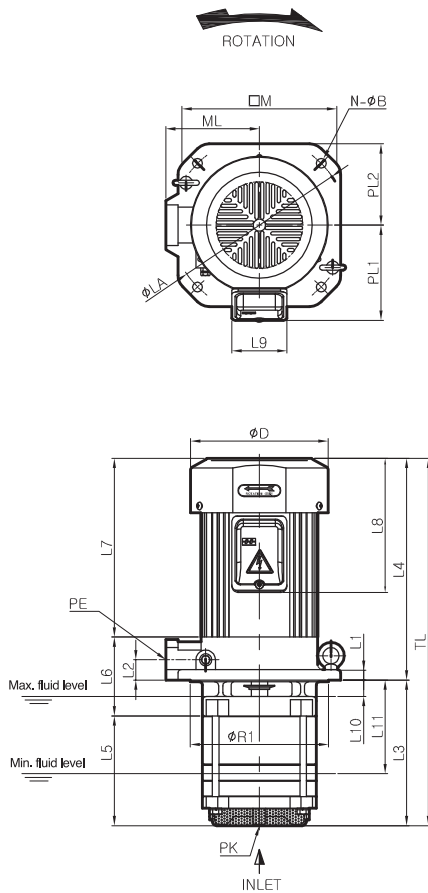
### Dimension

Type	Item	$\phi D$	L1	L2	L3	L4	L5	L6	L7	L8	L9	L10	L11	PE (PT)	TL	R1	LA	N- $\phi B$	PL1	PL2	M	ML	PK (PF)
HCP-900HMF		169	13	25	153.7	257.5	136.9	97	204.5	161	67.6	20	124	3/4"	438.4	170	215	4-12	119	100	200	115	1 1/2"
HCP-900HMF(S)		169	13	25	108.9	257.5	109.7	97	204.5	161	67.6	20	89	3/4"	411.2	170	215	4-12	119	100	200	115	1 1/2"
HCP-1500HMF		169	13	25	242.9	277.5	198.9	97	224.5	161	67.6	20	187	3/4"	520.4	170	215	4-12	119	100	200	115	1 1/2"
HCP-1500HMF(S)		169	13	25	197.9	277.5	153.9	97	224.5	161	67.6	20	142	3/4"	475.4	170	215	4-12	119	100	200	115	1 1/2"
HCP-2200HMF		194	13	25	288.9	266	244.9	97	213	166	80	20	238	3/4"	554.9	170	215	4-12	140	100	200	115	1 1/2"
HCP-2200HMF(S)		194	13	25	248.9	266	204.9	97	213	166	80	20	190	3/4"	514.9	170	215	4-12	140	100	200	115	1 1/2"
HCP-3700HMF		194	13	25	359.7	306	315.7	97	253	166	80	20	302	3/4"	665.7	170	215	4-12	140	100	200	115	1 1/2"
HCP-3700HMF(S)		194	13	25	311.8	306	267.8	97	253	166	80	20	255	3/4"	617.8	170	215	4-12	140	100	200	115	1 1/2"

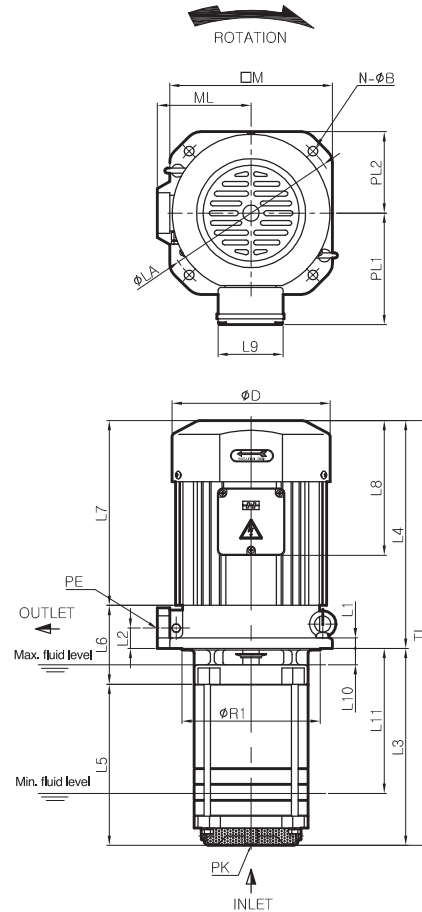
**HCP EHMf**

**External Figure**

**HCP-900EHMF(S)~1100EHMF(S)**



**HCP-1500EHMF(S)~3700EHMF(S)**



**Dimension**

Type	Item	$\phi D$	L1	L2	L3	L4	L5	L6	L7	L8	L9	L10	L11	PE (PT)	TL	R1	LA	N- $\phi B$	PL1	PL2	M	ML	PK (PF)
HCP-900EHMF		169	13	25	180	260	136	97	207	158	67.6	20	124	3/4"	440	170	215	4-12	119	100	200	115	1 1/2"
HCP-900EHMF S		169	13	25	144	260	100	97	207	158	67.6	20	89	3/4"	404	170	215	4-12	119	100	200	115	1 1/2"
HCP-1100EHMF		169	13	25	179	272.5	136	97	219.5	166	67.6	20	115	3/4"	451	170	215	4-12	119	100	200	115	1 1/2"
HCP-1100EHMF S		169	13	25	154	272.5	110	97	219.5	166	67.6	20	90	3/4"	426	170	215	4-12	119	100	200	115	1 1/2"
HCP-1500EHMF		194	13	25	242	277	198	97	224	166	80	20	187	3/4"	519	170	215	4-12	142	100	200	115	1 1/2"
HCP-1500EHMF S		194	13	25	197	277	153	97	224	166	80	20	142	3/4"	474	170	215	4-12	142	100	200	115	1 1/2"
HCP-1800EHMF		194	13	25	243	280	199	97	227	166	80	20	178	3/4"	475	170	215	4-12	137	100	200	115	1 1/2"
HCP-1800EHMF S		194	13	25	195	280	151	97	227	166	80	20	130	3/4"	475	170	215	4-12	137	100	200	115	1 1/2"
HCP-2200EHMF		194	13	25	290	307	246	97	254	166	80	20	238	3/4"	597	170	215	4-12	142	100	200	115	1 1/2"
HCP-2200EHMF S		194	13	25	248	307	204	97	254	166	80	20	190	3/4"	555	170	215	4-12	142	100	200	115	1 1/2"
HCP-2500EHMF		194	13	25	290	306	246	97	253	166	80	20	224	3/4"	596	170	215	4-12	137	100	200	115	1 1/2"
HCP-2500EHMF S		194	13	25	250	306	206	97	253	166	80	20	184	3/4"	556	170	215	4-12	137	100	200	115	1 1/2"
HCP-3700EHMF		232	13	25	361	340	317	107	277	176	80	20	302	3/4"	701	170	215	4-12	162	162	200	115	1 1/2"
HCP-3700EHMF S		232	13	25	313	340	269	107	277	176	80	20	255	3/4"	653	170	215	4-12	162	162	200	115	1 1/2"